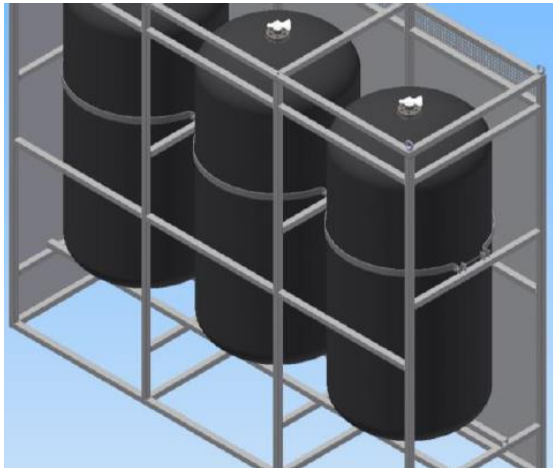
	<p><b>Datasheet</b></p> <p><b>MHT-60bar 850L</b></p>	<p>CL-DS10</p> <p>Update: 08/01/2017</p>
---	--	--

**Type IV buffer tank at 60bar**  
**The perfect solution to store H2 after electrolyzer**



**Can be installed/packaged in rack by 1, 2, 3,...**

<b>Mass of hydrogen stored</b>	4.2 Kg at 60 bar (15°C)
<b>Inner volume</b>	850L
<b>External Dimensions</b>	Ø84cm x 187cm (without support)
<b>Mass of empty tank</b>	215kg
<b>Temperature of use</b>	From -40°C to 65°C
<b>Maximum absolute refilling pressure</b>	60 bar
<b>Maximum absolute working pressure</b>	60 bar
<b>Body material</b>	Type IV polymer liner with composite material
<b>Valve</b>	ISO 10297
<b>Nozzle</b>	2
<b>PRV</b>	Max 60bar
<b>Tested according to</b>	AD2000 / DESP 2014-68-EU